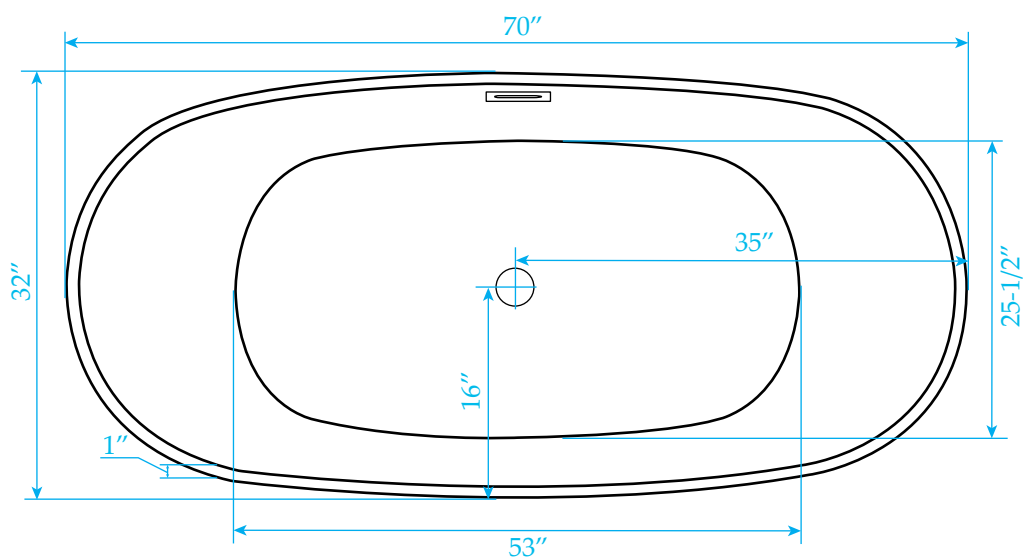
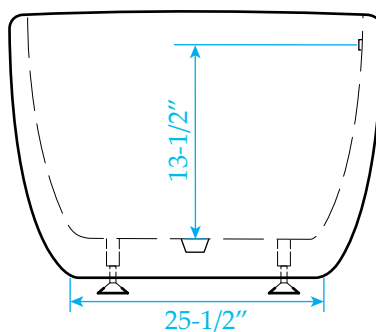
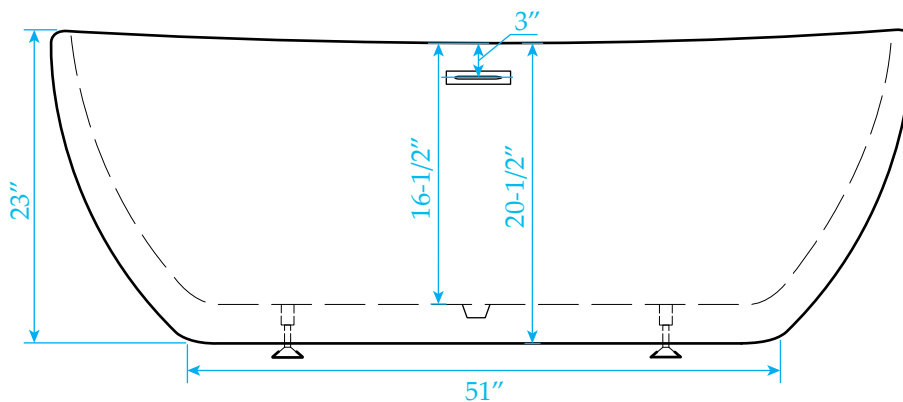


WYNDHAM COLLECTION

Exterior Size - 70"L x 32"W x 23 "H
Interior Size - 68"L x 30"W x 16-1/2"H
Depth at Drain - 16-1/2"
Drain To Overflow - 13-1/2"
Maximum Fill - 85 Gallons
Note - All Measurements are $\pm 1/2$ "



WC-BTU1014-70